

APPROVAL STAMP

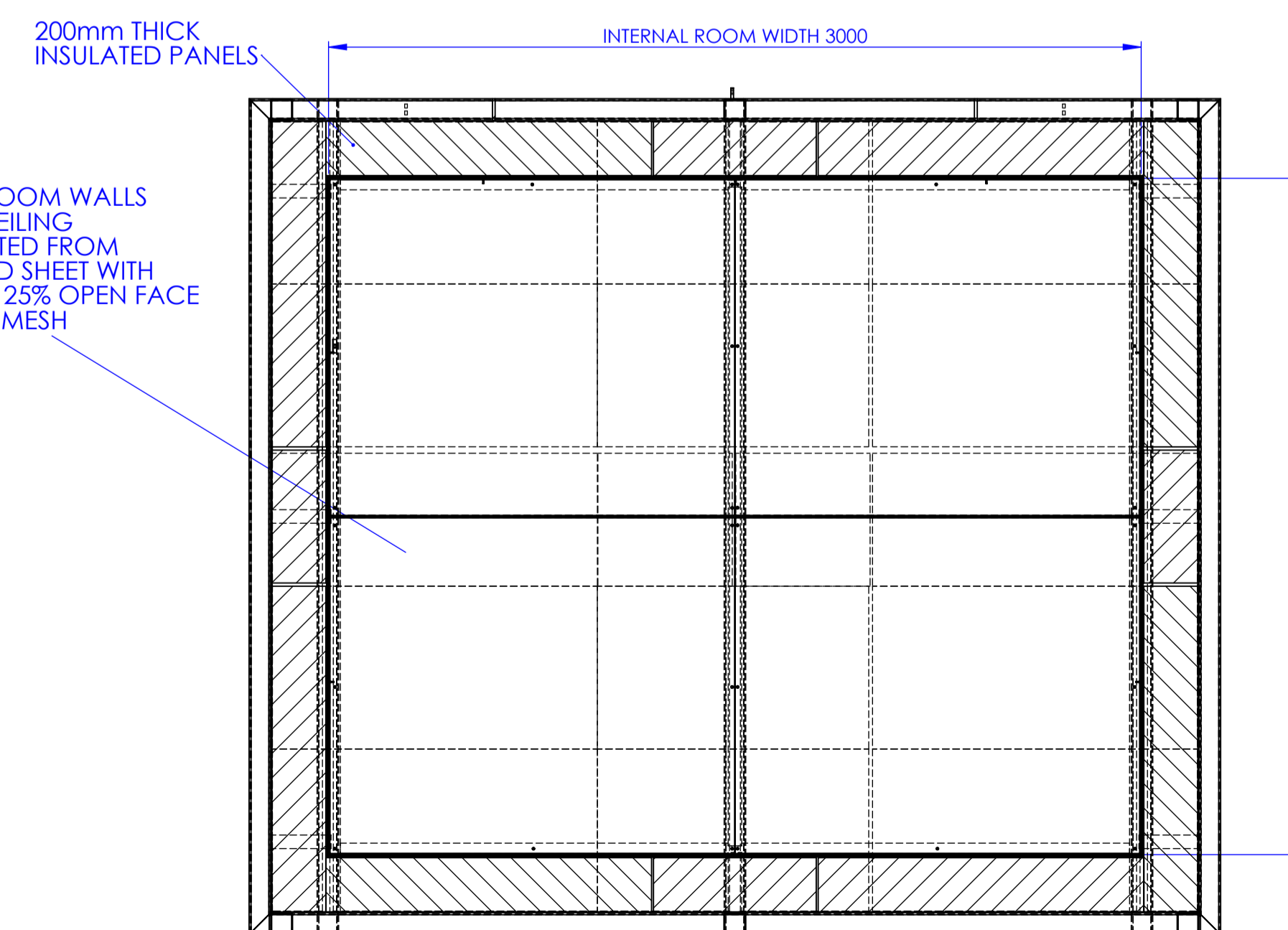
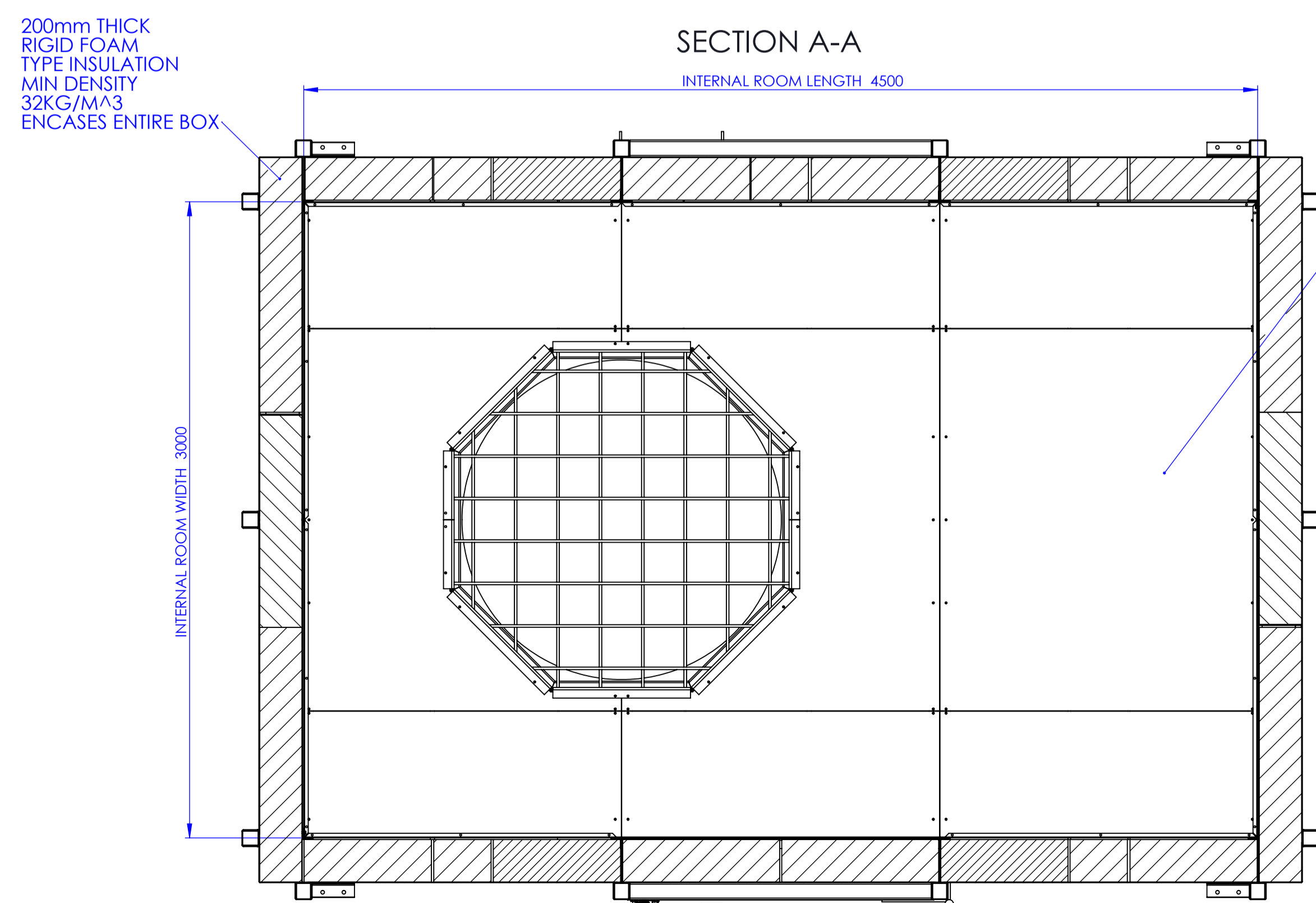
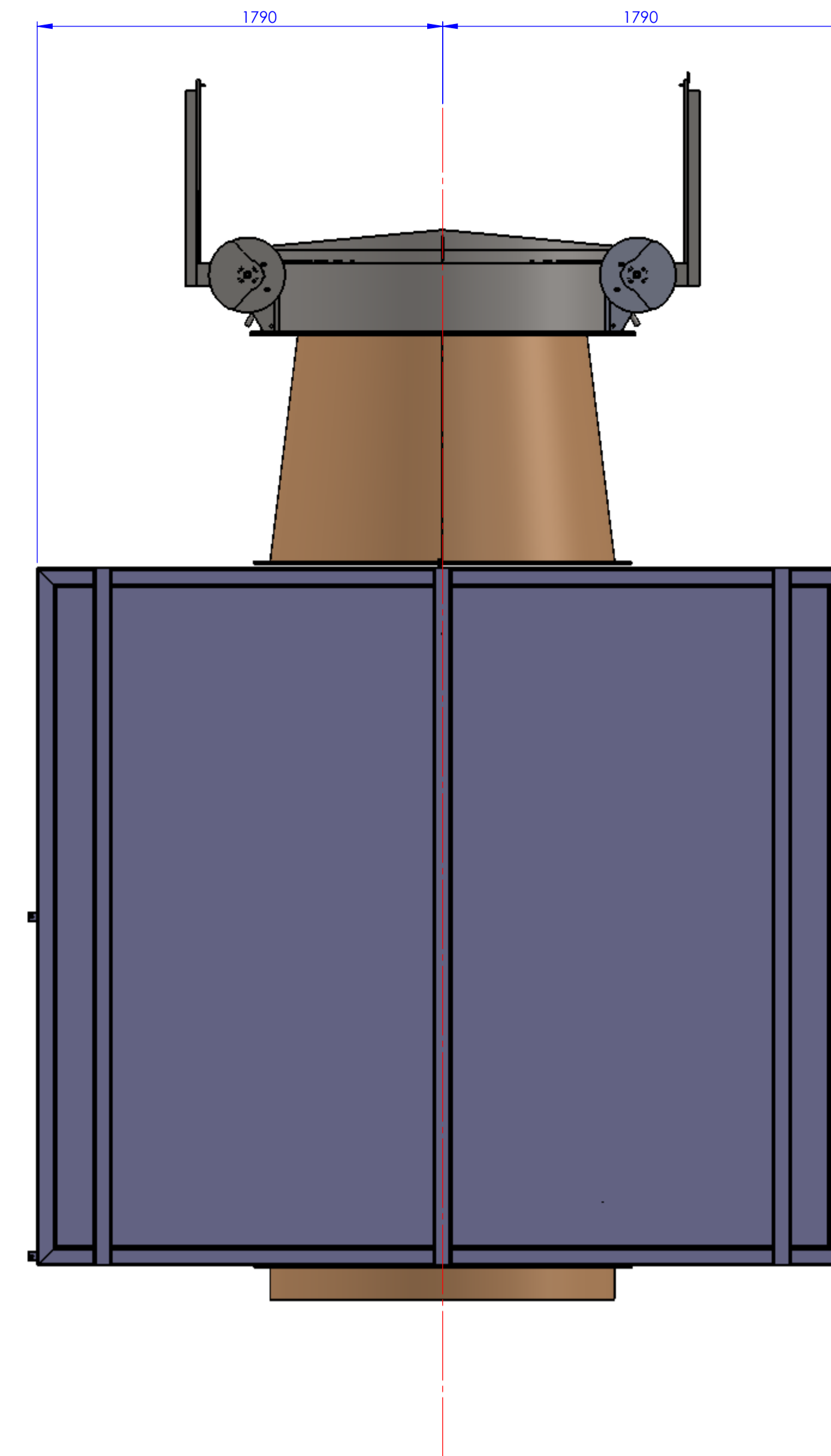
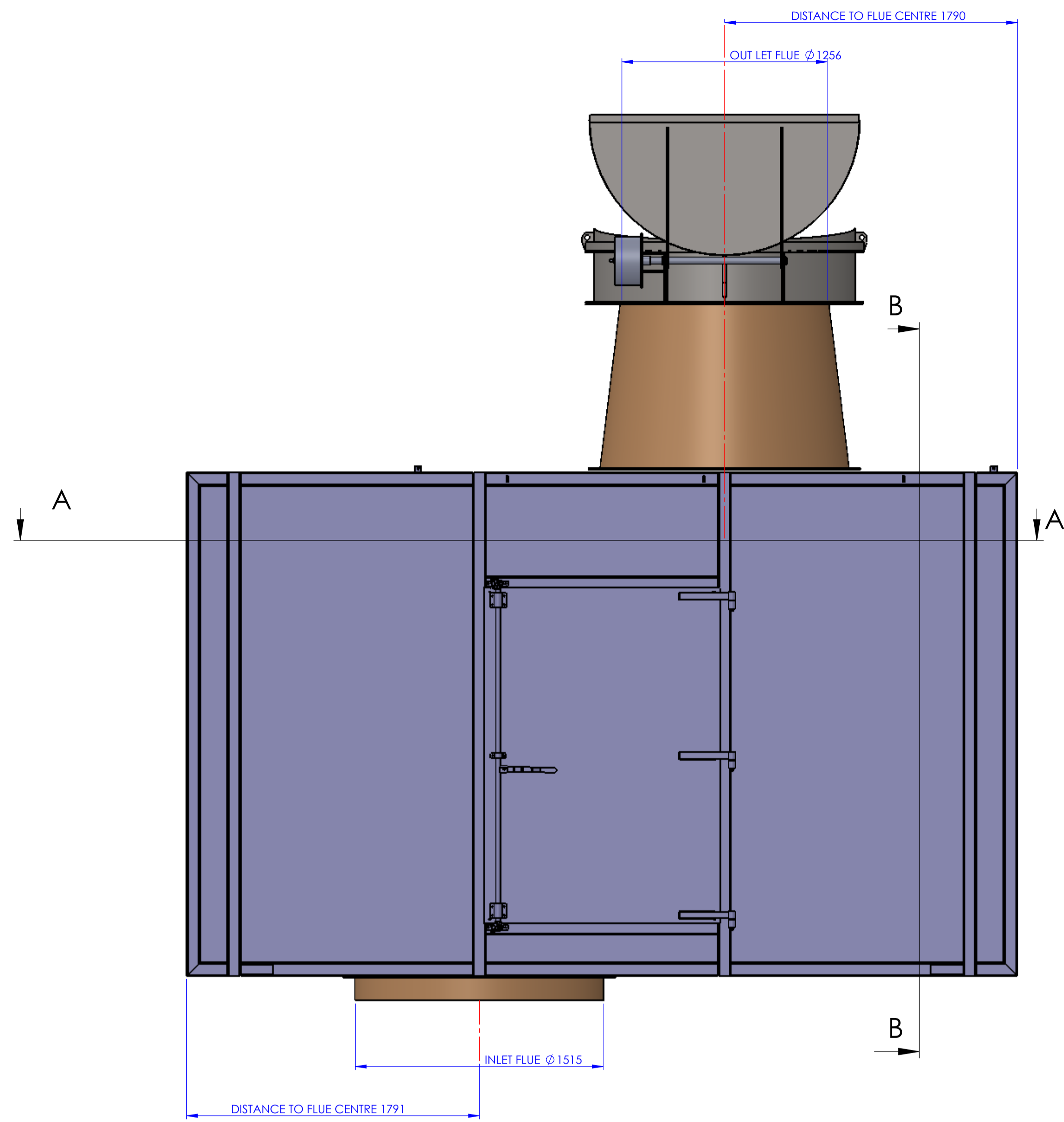
- De Burr all sharp edges
- All welds 6mm leg length fillets unless otherwise stated
- All equally sized box - box T Butt joints will have 2 x 6mm leg fillet welds & 2 x single bevel T butt welds unless otherwise stated
- All dimensions in mm unless otherwise stated
- This drawing remains the property of Noreside engineering
- This drawing may not be copied or passed to a third party without the prior written permission from Noreside engineering

PROJECTION	1ST ANGLE	WEIGHT	-
		MATERIAL TYPE	STAINLESS 304
		QUALITY	CLASS 2
		FINISH	BLASTED

<p>NORESIDE engineering limited Hebron Industrial Estate Kilkenny, Ireland email : info@noreside.ie Telephone : +353 (0) 56 7763966 Fax : +353 (0) 56 7763977</p>	CUSTOMER, CLIENT		GLANBIA BALLYRAGGET	
	DRAWING TITLE / PART DESCRIPTION			NOISE ATTENUATOR BOX - FULL ASSEMBLY
	DATE CREATED	22-03-17	SCALE NTS	SHEET SIZE A1
	DRAWN BY	I. BUCKLEY	QUOTE No.	1828
	CHECKED BY		JOB No.	2655
ITEM/PART/ASSEMBLY No.		SHEET No.	1 of 2	

DRAWING No. 2909.15.000d		
REV No.	DATE	DESCRIPTION OF CHANGES
4	22-03-17	OUTLET FLUE & PLATFORM HEIGHT DROPPED
-	-	-
-	-	-
-	-	-






APPROVAL STAMP

- De Burr all sharp edges
- All welds 6mm leg length fillets unless otherwise stated
- All equally sized box - box T Butt joints will have 2 x 6mm leg fillet welds & 2 x single bevel T butt welds unless otherwise stated
- All dimensions in mm unless otherwise stated
- This drawing remains the property of Noreside engineering
- This drawing may not be copied or passed to a third party without the prior written permission from Noreside engineering

PROJECTION	1ST ANGLE	WEIGHT	-
MATERIAL TYPE	STAINLESS 304	QUALITY	CLASS 2
FINISH	BLASTED		

 NORESIDE engineering limited Hebron Industrial Estate Kilkenny, Ireland email: info@noreside.ie Telephone: +353 (0) 56 7763966 Fax: +353 (0) 56 7763977	CUSTOMER, CLIENT		GLANBIA BALLYRAGGET	
	DRAWING TITLE / PART DESCRIPTION			NOISE ATTENUATOR BOX ASSEMBLY
	DATE CREATED	22-03-17	SCALE	NTS
	DRAWN BY	I. BUCKLEY	QUOTE No.	1828
CHECKED BY		JOB No.	2655	
ITEM/PART/ASSEMBLY No.		SHEET No.	2 of 2	

DRAWING No. 2909.15.000e		
REV No.	DATE	DESCRIPTION OF CHANGES
4	22-03-17	OUTLET FLUE HEIGHT DROPPED
-	-	-
-	-	-
-	-	-

